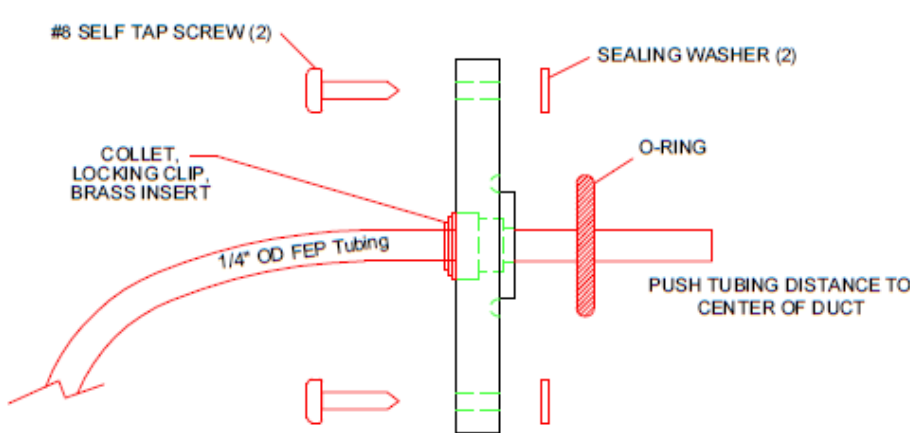


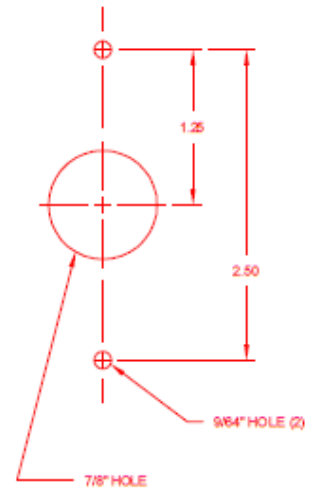
Duct Mounting Adapter Kit

The duct mounting adapter kit has been designed for quick and easy installation of sample tubing directly into ducts from 3 to 16 inches in diameter. This kit is compatible with sample draw gas detection systems manufactured or distributed by DOD Technologies and FEP tubing with outer diameters of 1/4" or 3/8".

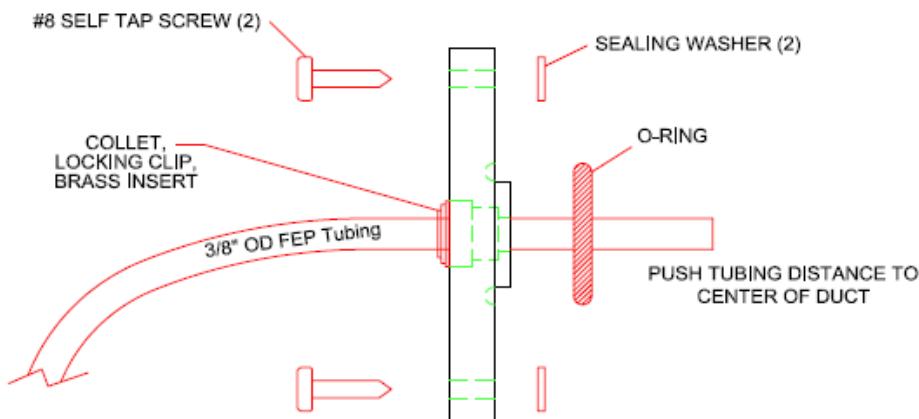
PN: 2-800-007 (1/4" O.D.)



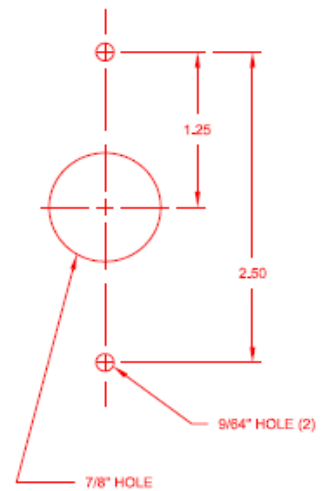
DUCT DRILL PATTERN



PN: 2-800-008 (3/8" O.D.)



DUCT DRILL PATTERN



Please contact DOD Technologies or your local representative for further information or assistance.