

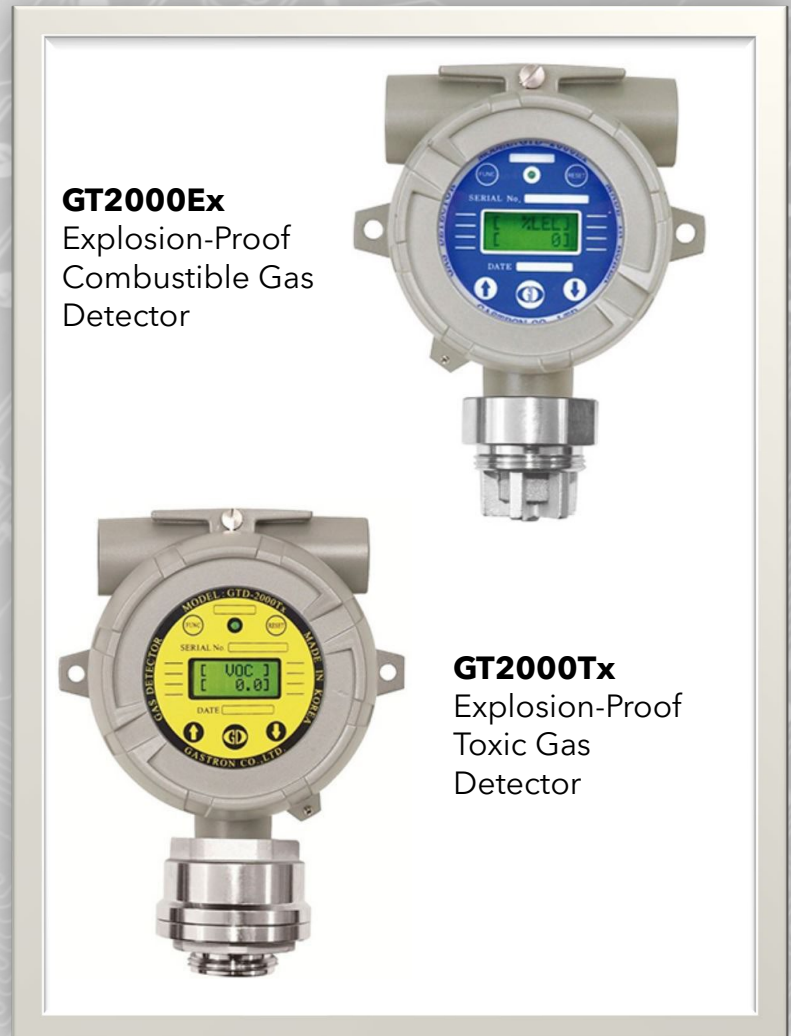


# Gastron GTD-2000 Series Explosion-Proof Gas Detectors

DOD Technologies

The GTD-2000 Explosion-Proof Gas Monitors provide comprehensive monitoring of flammable, toxic, and oxygen gas hazards in potentially explosive atmospheres (both indoors and outdoors). Users can modify detector operation using the LCD without ever needing to open the unit. This enables one-person, non-intrusive operation and reduces maintenance time and costs.

Easily configures into existing installs with other manufacturers' detectors. Comes equipped with analog and digital protocols.



**GT2000Ex**  
Explosion-Proof  
Combustible Gas  
Detector

**GT2000Tx**  
Explosion-Proof  
Toxic Gas  
Detector

**CONTINUOUS**



**MONITORING**

**LOW**



**MAINTENANCE**

**TOXIC OR  
COMBUSTIBLE**



**GAS DETECTOR**

**EXPLOSION PROOF**

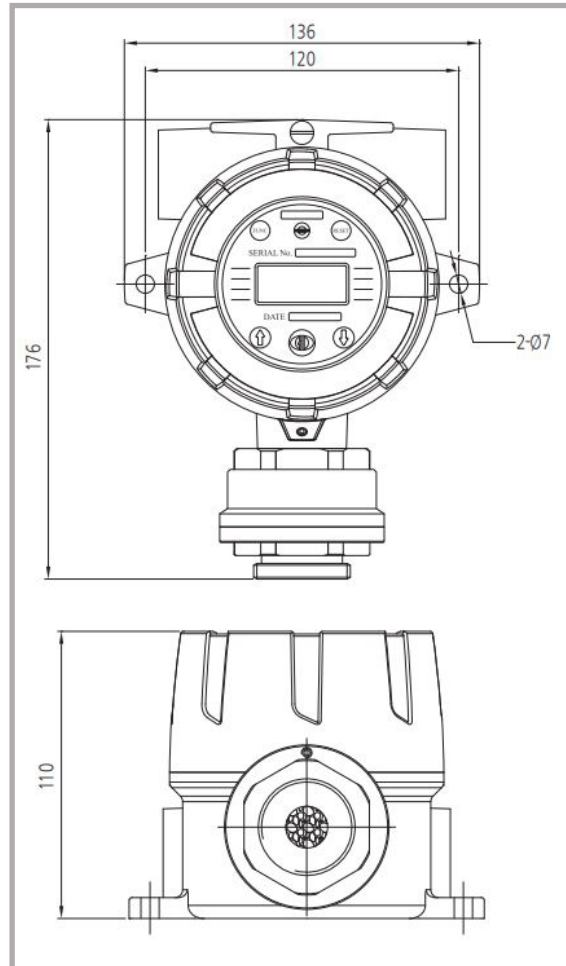


**CLASS I DIV 1**

## Features & Benefits

FEATURES	BENEFITS
Continuous detection	Reliable detectors in potentially explosive hazardous areas
Durable construction	Explosion-proof unit with flame proof structure
Highly Accurate	Reads within +/- 3% at full scale
Auto calibration	Reduced maintenance and program setting with a magnet bar
Maintenance	Can be calibrated and maintained by single individual
Technologically advanced	Includes self diagnosis function with built-in microprocessor
Output signals	4-20mA (Current source or Sink)
Digital Display	Easy to read LCD or OLED display with built-in back light
Optional alarm unit (GTL-100)	Normal=Green LED, Alarm=Red LED, Buzzer (95dB), Trouble=Yellow LED

## Dimensions





## Specifications

Model	GTD-2000Ex	GTD-2000Tx
Gases Detected	Combustible	Toxic
Measuring Range	0-100% LEL	0-300 PPM
Detection Principle	Catalytic Bead	Electrochemical Cell
Response Time	T90 = < 15 seconds	T90 = < 45 seconds
Measurement Principle	Magnetic balance type electromagnetic method	
Display	Back-lit LCD or OLED	
Output	Analog: 4-20mA   Digital: 2mA (HART 7 Option)	
Mounting Type	2" pole mount, wall mount or duct mount	
Conduit Connections	Standard: PF 3/4", Option: NPT 1/2", NPT 3/4", M20 x 1.5P, M25 x 1.5P	
Operating Temperature	-40°F to 176°F   -40°C to 80°C	
Dimensions	6.5"H x 5.4"W x 4.3"D (166mm x 136mm x 110mm)	
Weight	3.3 lb. (1.50 kg)	

## Detectable Gases

### GTD-2000Ex Combustible

Flammable Gases (LNG, LPG, H2, Methane, Butane, etc.)

### GTD-2000Tx Toxic

Ammonia (NH3)	0-75, 150 ppm	Hydrogen Fluoride (HF)	0-1 ppm
Arsine (AsH3)	0-75 ppm	Hydrogen Sulfide (H2S)	0-15 ppm
Boron Trichloride (BCl3)	0-10, 15 ppm	Nitrogen Dioxide (NO2)	0-15, 30 ppm
Boron Trifluoride (BF3)	0-15 ppm	Nitric Oxide (NO)	0-10, 30 ppm
Bromine (Br2)	0-9 ppm	Oxygen (O2)	0-9 ppm
Carbonyl Sulfide (COS)	0-150, 300 ppm	Ozone (O3)	0-100 ppm
Chlorine (Cl2)	0-100, 200 ppm	Phosgene (COCl2)	0-3 ppm
Chlorine Trifluoride (ClF3)	0-3, 10, 30 ppm	Phosphine (PH3)	0-2000 ppm
Diborane (B2H6)	0-1 ppm	Phosphorus Oxychloride (POCl3)	0-10, 30 ppm
Dichlorosilane (SiH2Cl2)	0-100% LEL	Phosphorus Trichloride (PCL3)	0-200 ppm
Disilane (Si2H6)	0-0.3 ppm	Propylene (PO)	0-1500 ppm
Ethylene (El)	0-15 ppm	Silane (SiH4)	0-15 ppm
Fluorine (F2)	0-15 ppm	Silicone Tetrachloride (SiCl4)	0-50 ppm
Germane (GeH4)	0-30, 100 ppm	Sulfur Dioxide (SO2)	0-20 ppm
Hydrogen (H2)	0-2000 ppm	Sulfur Trioxide (SO3)	0-15, 30 ppm
Hydrogen Bromide (HBr)	0-10 ppm	Titanium Tetrachloride (TiCl4)	0-100 ppm
Hydrogen Chloride (HCl)	0-50 ppm	Tungsten Hexafluoride (WF6)	0-25 & 30% vol
Hydrogen Cyanide (HCN)	0-2000 ppm		





## REALIBILITY & SUPPORT

DOD Technologies is the global leader in low level gas detection systems and solutions. We understand the importance of keeping your business operational and know that that false alarms can cost millions of dollars in lost productivity.

We offer a comprehensive line of ChemLogic® gas detection products, engineered to an enhanced standard of accuracy and reliability. Our worldwide network of knowledgeable service engineers are also ready to assist you with a passion for gas detection. The DOD Technologies portfolio includes fixed systems, portable gas detectors, controllers, systems integrations and on-site field services.

For more information, or to order, please visit us at [DODtec.com](http://DODtec.com).



DOD Technologies, Inc.  
675 Industrial Drive  
Cary, IL 60013



(815) 788-5200



[DODtec.com](http://DODtec.com)